

# SHOT 80

## Outdoor Spotlight

SHOT 80 is one model in a family of four outdoor floodlights of varying sizes and outputs. It is suitable for illumination of architectural elements such as facades or sculptures and areas such as public squares and similar area lighting applications including streets in pedestrian-oriented settings. The floodlight features a mounting yoke for vertical and horizontal adjustability.

SHOT 80 is available as a single unit with an integral driver or with a remote driver capable of powering up to four luminaires. It features several lumen packages with a choice of two light distributions in 3000K or 4000K color temperatures. Available distributions are rotationally symmetric Spot (20°) or Medium Flood (28°) beams. Product control options are 0-10v Dimming or On/Off.



Shot 80 Integral

Date: \_\_\_\_\_ Type: \_\_\_\_\_ Catalog Number: \_\_\_\_\_

Project Name: \_\_\_\_\_



Shot 80 Remote

### ORDERING INFORMATION

#### LUMINAIRE- INTEGRAL DRIVER

MODEL	OUTPUT	CCT	CONTROL	VOLTAGE	OPTIC	FINISH
SHT80-INT Shot 80 with Integral Driver	SO Standard Output	30K 3000K	ON-OFF ON/OFF	UNV 120 - 277V	SP Spot 20°	GR Grey
		40K 4000K	DIM 0-10v Dimming		MB Medium 28°	AG Anthracite Grey

#### LUMINAIRE- REMOTE DRIVER

MODEL	OUTPUT	CCT	OPTIC	FINISH
SHT80-REM Shot 80 with Remote Driver (sold separately)	SO Standard Output	30K 3000K	SP Spot 20°	GR Grey
		40K 4000K	MB Medium 28°	AG Anthracite Grey

#### REMOTE POWER SUPPLY (Required For SHT80-REM)

##### RMTPS-UNV-30-700-ON-OFF

Remote Power Supply with Enclosure, 120-277v, 30w, 700mA, On/Off; For 1 to 4 SHT80-REM Luminaires

##### RMTPS-UNV-30-700-DIM

Remote Power Supply with Enclosure, 120-277v, 30w, 700mA, 0-10v Dimming; For 1 to 4 SHT80-REM Luminaires

# SHOT 80

## Outdoor Spotlight



PHYSICAL	HOUSING	Die-Cast Aluminum	
	OVERALL DIMENSIONS	4.8" L x 11.7" W x 3.7" H	
	WEIGHT	SHT80-INT	2.9 pounds
		SHT80-REM	1.6 pounds
OPERATING TEMPERATURE	-4°F to 122°F (-20°C to 50°C)		

ELECTRICAL	POWER	9.4 Watts	
	CURRENT	0.08 amps at 120 volts	
		0.03 amps at 277 volts	
CONTROL	0-10v Dimming		

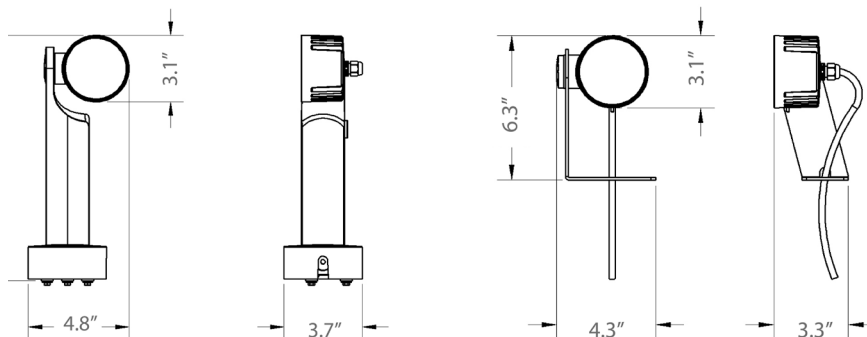
PHOTOMETRIC	LED	Static White (3000K or 4000K)	
	NUMBER OF LEDS	3	
	COLOR RENDERING INDEX	> 80	
	NUMBER OF DISTRIBUTIONS	Two	
	LUMEN MAINTENANCE	L80 > 60,000 hours at 77°F*	
	LIGHT CONTROL ACCESSORIES	Visor	

LIGHT DISTRIBUTIONS	DISTRIBUTION	BEAM ANGLE	EFFICACY (lm/w)	LUMEN OUTPUT	MAXIMUM CANDELA
	SPOT		20°	77	720
Values based on full output.	MEDIUM	28°	65	609	1731

CERTIFICATIONS	SAFETY	CSA Certification	
	INGRESS PROTECTION	IP65	
	IMPACT RATING	IK06	
	WARRANTY	Limited Five Year Warranty	

### DIMENSIONS

All dimensions are shown in inches unless otherwise noted.



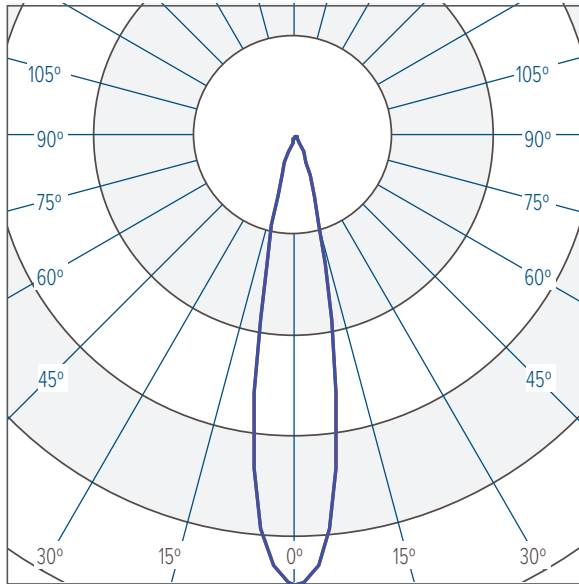
\* LED life may vary under actual field conditions due to external factors. Lifetime estimates are generated from actual testing in a controlled environment. Given values are conservatively derived from those numbers.

PHOTOMETRICS

**3000K & 4000K SPOT 19°**

CBCP 4442 @ 720 lumens

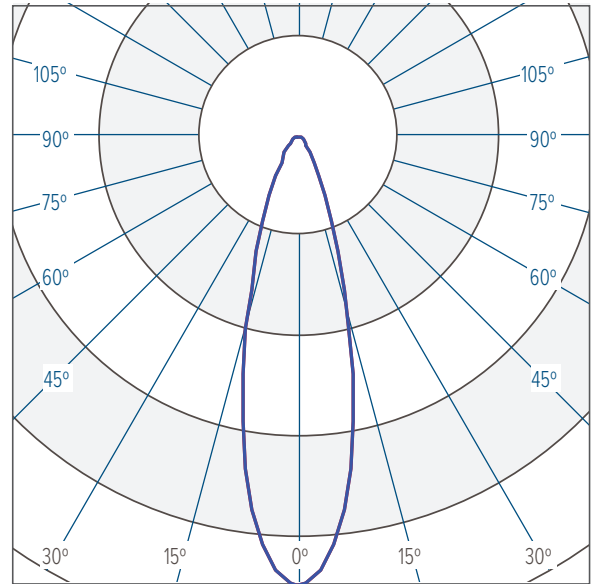
— Horizontal  
— Vertical



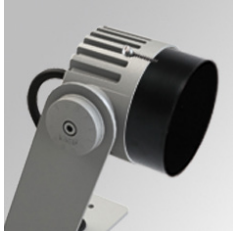
**3000K & 4000K MEDIUM 28°**

CBCP 1731 @ 609 lumens

— Horizontal  
— Vertical



## ACCESSORIES



**MCSC82B**  
Visor

## REMOTE POWER SUPPLIES

RMTPS-UNV-40-700-ON-OFF										
Driver Type	Description	Nominal Input Voltage (VAC)	Number of Channels	P-Out Max (W)	V-Out Min (Vdc)	V-Out Max (Vdc)	I-Out Max (mA)	Fixture Cable	NPT Plugs	Enclosure
On/Off	Remote Power Supply for 1 to 4 Luminaires, 120-277v, 40 Watts, 42v Output, On/Off	120 to 277	1	29.4	28	42	700	1 Cord Grip	(3) 1/2 NPT Plugs to be removed as required for 1/2 NPT water tight conduit fittings (by others)	Included, IP66 Rated
RMTPS-UNV-30-700-DIM										
0-10v	Remote Power Supply for 1 to 4 Luminaires, 120-277v, 40 Watts, 42v Output, 0-10v Dimming	120 to 277	1	29.4	28	42	700	1 Cord Grip	(3) 1/2 NPT Plugs to be removed as required for 1/2 NPT water tight conduit fittings (by others)	Included, IP66 Rated

