

# FIL 45

## Tunable White Linear Luminaire



### DESCRIPTION

FIL 45 is designed to satisfy linear interior lighting applications with combinations of low-brightness direct or direct-indirect diffused optics suitable for most typical settings. Mounting options include standard suspended mounting from ceilings or optional wall brackets to visually expand the space by illuminating vertical surfaces. FIL45 may be used as a standalone single linear pendant or combined into continuous rows with optional hardware. The Well-Being model incorporates additional diffusion combined with high 97-CRI LEDs to deliver even more effective low-brightness illumination with high color rendering to enhance human-centric settings. The Tech model replaces the diffused lens with a black polycarbonate reflector for increased light and glare control, making it ideal for eye-level scenarios.



Date: \_\_\_\_\_ Type: \_\_\_\_\_ Catalog Number: \_\_\_\_\_

Project Name: \_\_\_\_\_



### ORDERING INFORMATION

LUMINAIRE								
MODEL	LENGTH <sup>1</sup>	OUTPUT	CRI	CCT	CONTROL	VOLTAGE	OPTIC	FINISH
<b>FIL45-D</b> Fil 45 Direct	<b>3.7</b> 3.7'	<b>SO</b> Standard Output	<b>90</b> 90 CRI	<b>TW</b> Tunable White 2700K to 6500K	<b>DIM</b> 0-10v Dimming	<b>UNV</b> 120-277v	<b>OP</b> Opal Diffused Lens	<b>AG</b> Anthracite Grey
<b>FIL45-DI</b> Fil 45 Direct-Indirect	<b>5.5</b> 5.5'						<b>OPC</b> Opal Comfort Diffused Lens	<b>BL</b> Black
	<b>7.3</b> 7.3'							<b>WH</b> White
								<b>CC</b> Custom RAL Color

Mounting options are sold separately. See Page 4 for ordering information of available accessories.

<sup>1</sup>Fil45 is continuous run capable. Consult the factory for assistance in configuring your system.

Custom solutions are available; consult factory for assistance via phone at (864) 487-3535 ext. 258 or via email at DesignServices@EXP-Brands.com.

# FIL 45

Tunable White Linear Luminaire



		FIL 45 TUNABLE WHITE		
PHYSICAL	HOUSING	Recycled Aluminum Extrusion		
	LENS	Opal		Opal Comfort
		Translucent Polycarbonate Diffuser		Translucent Polycarbonate Diffuser with Optical Sheet for Increased Visual Comfort
	MOUNTING	Suspended Surface, Surface, Ceiling, or Wall Mounting Options (Sold Separately)		
	DRIVER LOCATION	Integral		
	DIMENSIONS	3.7'	5.5'	7.3'
		44.1" x 1.8" x 3.1"	66.1" x 1.8" x 3.1"	88.2" x 1.8" x 3.1"
	CONTINUOUS RUN	Continuous Run Capable with FIL45-COUPLER Accessory (See page 4 for more information.) Connect multiple luminaires for custom lengths and avoid multiple power drops. Consult factory for assistance.		
	WEIGHT	3.7'	5.5'	7.3'
		5.29 Pounds	7.71 Pounds	10.58 Pounds
	OPERATING TEMPERATURE	-40°F to 122°F (-40°C to 50°C)		
	CABLE FINISH	White Cable for White Luminaires; All Others are Black		
	END CAP FINISH	End Cap Finish Equivalent to Luminaire Finish Unless Ordered Separately		
RAL CODES	Anthracite Grey	Black	White	
	RAL9006	RAL9011	RAL9010	

ELECTRICAL	VOLTAGE	120-277 Volts
	CONTROL	0-10v Dimming

PHOTOMETRIC	LED	Tunable White (2700K to 6500K)
	LUMEN MAINTENANCE	L80 > 50,000 Hours at 77°F*
	CRI	90 CRI
	TIGHTNESS OF BINNING	MacAdam 3-Step

LIGHT DISTRIBUTIONS	OUTPUT	OPTIC	CCT	3.7'			5.5'			7.3'		
				LUMENS	WATTAGE	EFFICACY	LUMENS	WATTAGE	EFFICACY	LUMENS	WATTAGE	EFFICACY
Values based on full output.	STANDARD OUTPUT	OPAL	2700K	2739	32	86	4108	50	82	5478	63	87
			4000K	2938	31	95	4407	47	94	5875	61	96
			6500K	2892	32	90	4338	49	89	5783	63	92

CERTIFICATIONS	SAFETY	CSA Certification
	INGRESS PROTECTION	IP20
	IMPACT RATING	IK07
	WARRANTY	Five Year Limited Warranty

# FIL 45

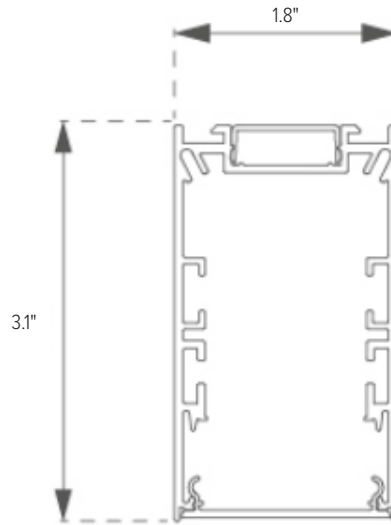
Tunable White Linear Luminaire



## DIMENSIONS

All dimensions are shown in inches unless otherwise noted. Side view shown.

DIMENSIONS	2.8'	3.7'	4.6'	5.5'	6.4'	7.3'
	33.1" x 1.8" x 3.1"	44.1" x 1.8" x 3.1"	55.1" x 1.8" x 3.1"	66.1" x 1.8" x 3.1"	77.2" x 1.8" x 3.1"	88.2" x 1.8" x 3.1"



\* LED life may vary under actual field conditions due to external factors. Lifetime estimates are generated from actual testing in a controlled environment. Values are conservatively derived from those numbers.

# FIL 45

Tunable White Linear Luminaire



## ACCESSORIES

NOTE: Accessories are ordered and shipped separately from luminaire for field installation. Accessories are sold individually unless otherwise noted.

-XX\* indicates a painted accessory. See bottom of page for painted accessory ordering information.



FIL45-5-CBL

5' Quick-Adjust Suspension Cable



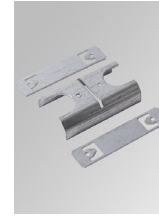
FIL45-10-CBL

10' Quick-Adjust Suspension Cable



FIL45-SR-BRKT

(2) Surface Mounting Bracket



FIL45-COUPLER

Coupler Assembly to Join Luminaires for Continuous Run



FIL45-WL-BRKT-XX\*  
(2) Wall Mounting Bracket for Mounting 50mm from Wall



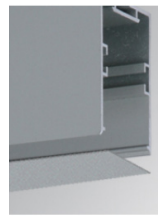
FIL45-SF-CAN-XX\*  
Surface Mounted Ceiling Canopy



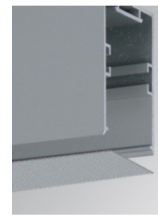
FIL45-SF-DECO-CAN-XX\*  
Deco Surface Mounted Ceiling Canopy



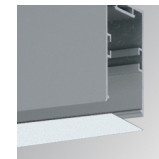
FIL45-EC-XX\*  
End Cap



FIL45-SF-PROF-XIN-XX\*\*  
Fil45 Extrusion, Custom Length  
¹Specify Length in Feet up to 9.8'.



FIL45-CVR-XIN-XX\*\*  
Fil45 Painted Cover, Custom Length  
¹Specify Length in Feet up to 9.8'.



FIL45-OP-LENS-XIN¹  
Opal Diffused Lens, Custom Length  
¹Specify Length in Feet up to 9.8'.

## ORDERING INFORMATION

PAINTED ACCESSORIES	
MODEL	FINISH (*-XX)
<b>FIL45-WL-BRKT</b> (2) Wall Mounting Brackets	<b>AG</b> Anthracite Grey
<b>FIL45-SF-CAN</b> Surface Mounted Ceiling Canopy	<b>BL</b> Black
<b>FIL45-SF-DECO-CAN</b> Deco Surface Mounted Ceiling Canopy	<b>WH</b> White
<b>FIL45-EC</b> End Cap	
<b>FIL45-SF-PROF-XIN</b> Custom Length Extrusion; Specify Length in Inches	
<b>FIL45-CVR-XIN</b> Custom Length Painted Cover; Specify Length in Inches	
<b>FIL45-OP-LENS-XIN</b> Custom Length Opal Lens; Specify Length in Inches	

