

FIL 45 WELL-BEING

Tunable White Linear Luminaire



DESCRIPTION

FIL 45 is designed to satisfy linear interior lighting applications with combinations of low-brightness direct or direct-indirect diffused optics suitable for most typical settings. Mounting options include standard suspended mounting from ceilings or optional wall brackets to visually expand the space by illuminating vertical surfaces. FIL45 may be used as a standalone single linear pendant or combined into continuous rows with optional hardware. The Well-Being model incorporates additional diffusion combined with high 97-CRI LEDs to deliver even more effective low-brightness illumination with high color rendering to enhance human-centric settings. The Tech model replaces the diffused lens with a black polycarbonate reflector for increased light and glare control, making it ideal for eye-level scenarios.



Date: _____ Type: _____ Catalog Number: _____

Project Name: _____



ORDERING INFORMATION

LUMINAIRE								
MODEL	LENGTH ¹	OUTPUT	CRI	CCT	CONTROL	VOLTAGE	OPTIC	FINISH
FIL45-D-WB Fil 45 Direct Well-Being	3.7 3.7'	SO Standard Output	97 97 CRI	TW Tunable White (2700K to 6500K)	DIM 0-10v Dimming	UNV 120-277v	OPC Opal Comfort Diffused Lens	AG Anthracite Grey
FIL45-DI-WB Fil 45 Direct/Indirect Well-Being	5.5 5.5'							BL Black
	7.3 7.3' ²							WH White
								CC Custom RAL Color

Mounting options are sold separately. See Page 4 for ordering information of available accessories.

¹Fil45 is continuous run capable. Consult the factory for assistance in configuring your system.

Custom solutions are available; consult factory for assistance via phone at (864) 487-3535 ext. 258 or via email at DesignServices@EXP-Brands.com.

²7.3' is not available on direct illumination models.

FIL 45 WELL-BEING

Tunable White Linear Luminaire



		FIL 45 WELL-BEING TUNABLE WHITE		
PHYSICAL	HOUSING	Recycled Aluminum Extrusion		
	LENS	Translucent Polycarbonate Diffuser with Optical Sheet for Increased Visual Comfort		
	MOUNTING	Suspended Surface, Surface, Ceiling, or Wall Mounting Options (Sold Separately)		
	DRIVER LOCATION	Integral		
	DIMENSIONS	3.7'	5.5'	7.3'
		44.1" x 1.8" x 3.1"	66.1" x 1.8" x 3.1"	88.2" x 1.8" x 3.1"
	CONTINUOUS RUN	Continuous Run Capable with FIL45-COUPLER Accessory (See page 4 for more information.) Connect multiple luminaires for custom lengths and avoid multiple power drops. Consult factory for assistance.		
	WEIGHT	3.7'	5.5'	7.3'
		5.29 Pounds	7.71 Pounds	10.58 Pounds
	OPERATING TEMPERATURE	-40°F to 122°F (-40°C to 50°C)		
	CABLE FINISH	White Cable for White Luminaires; All Others are Black		
	END CAP FINISH	End Cap Finish Equivalent to Luminaire Finish Unless Ordered Separately		
RAL CODES	Anthracite Grey	Black	White	
	RAL9006	RAL9011	RAL9010	

ELECTRICAL	VOLTAGE	120-277 Volts
	CONTROL	0-10v Dimming

PHOTOMETRIC	LUMEN MAINTENANCE	L80 > 70,000 Hours at 77°F*
	CRI	97 CRI
	UGR	19
	TIGHTNESS OF BINNING	MacAdam 3-Step

LIGHT DISTRIBUTIONS	OUTPUT	OPTIC	CCT	3.7'			5.5'			7.3'		
				LUMENS	WATTAGE	EFFICACY	LUMENS	WATTAGE	EFFICACY	LUMENS	WATTAGE	EFFICACY
Values based on full output.	STANDARD OUTPUT	OPAL COMFORT	2700K	Pending Final Photometry.								
			4000K									
			6500K									

CERTIFICATIONS	SAFETY	CSA Certification
	INGRESS PROTECTION	IP20
	IMPACT RATING	IK07
	WARRANTY	Five Year Limited Warranty



* LED life may vary under actual field conditions due to external factors. Lifetime estimates are generated from actual testing in a controlled environment. Values are conservatively derived from those numbers.

FIL 45 WELL-BEING

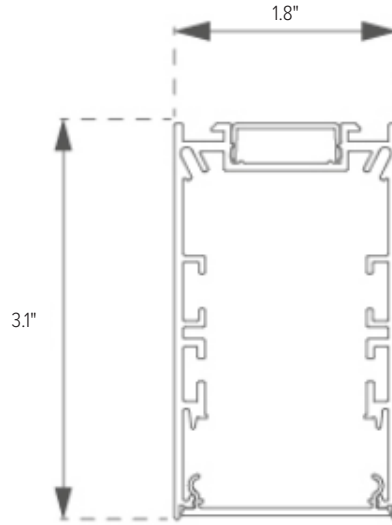
Tunable White Linear Luminaire



DIMENSIONS

All dimensions are shown in inches unless otherwise noted. Side view shown.

DIMENSIONS	3.7'	5.5'
	44.1" x 1.8" x 3.1"	66.1" x 1.8" x 3.1"



* LED life may vary under actual field conditions due to external factors. Lifetime estimates are generated from actual testing in a controlled environment. Values are conservatively derived from those numbers.

FIL 45 WELL-BEING

Tunable White Linear Luminaire



ACCESSORIES

NOTE: Accessories are ordered and shipped separately from luminaire for field installation. Accessories are sold individually unless otherwise noted.
 -XX* indicates a painted accessory. See bottom of page for painted accessory ordering information.



FIL45-5-CBL

5' Quick-Adjust Suspension Cable



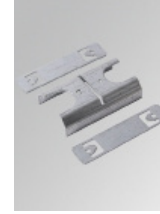
FIL45-10-CBL

10' Quick-Adjust Suspension Cable



FIL45-SR-BRKT

(2) Surface Mounting Bracket



FIL45-COUPLER

Coupler Assembly to Join Luminaires for Continuous Run



FIL45-WL-BRKT-XX*

(2) Wall Mounting Bracket for Mounting 50mm from Wall



FIL45-SF-CAN-XX*

Surface Mounted Ceiling Canopy



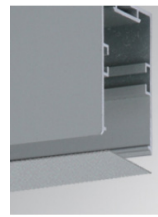
FIL45-SF-DECO-CAN-XX*

Deco Surface Mounted Ceiling Canopy



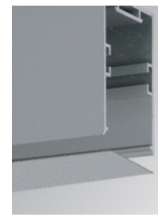
FIL45-EC-XX*

End Cap



FIL45-SF-PROF-XIN-XX**

Fil45 Extrusion, Custom Length
 *Specify Length in Feet up to 9.8'



FIL45-CVR-XIN-XX**

Fil45 Painted Cover, Custom Length
 *Specify Length in Feet up to 9.8'



FIL45-OP-LENS-XIN¹

Opal Diffused Lens, Custom Length
¹Specify Length in Feet up to 9.8'

ORDERING INFORMATION

PAINTED ACCESSORIES

MODEL	FINISH (*-XX)
FIL45-WL-BRKT (2) Wall Mounting Brackets	AG Anthracite Grey
FIL45-SF-CAN Surface Mounted Ceiling Canopy	BL Black
FIL45-SF-DECO-CAN Deco Surface Mounted Ceiling Canopy	WH White
FIL45-EC End Cap	
FIL45-SF-PROF-X*IN Custom Length Extrusion; Specify Length in Inches	
FIL45-CVR-X*IN Custom Length Painted Cover; Specify Length in Inches	
FIL45-OP-LENS-X*IN Custom Length Opal Lens; Specify Length in Inches	

