

# SHOT 80

## Outdoor Spotlight



SHOT 80 is one model in a family of four outdoor floodlights of varying sizes and outputs. It is suitable for illumination of architectural elements such as facades or sculptures and areas such as public squares and similar area lighting applications including streets in pedestrian-oriented settings. The floodlight features a mounting yoke for vertical and horizontal adjustability.

SHOT 80 is available as a single unit with an integral driver or with a remote driver capable of powering up to four luminaires. It features several lumen packages with a choice of two light distributions in 3000K or 4000K color temperatures. Available distributions are rotationally symmetric Spot (20°) or Medium Flood (28°) beams. Product control options are 0-10v Dimming or On/Off.



Shot 80 Integral

Date: \_\_\_\_\_ Type: \_\_\_\_\_ Catalog Number: \_\_\_\_\_

Project Name: \_\_\_\_\_



Shot 80 Remote

### ORDERING INFORMATION

#### LUMINAIRE- INTEGRAL DRIVER

| MODEL                                     | OUTPUT                | CCT          | CONTROL              | VOLTAGE           | OPTIC            | FINISH                |
|---|-----------------------|--------------|----------------------|-------------------|------------------|-----------------------|
| SHT80-INT<br>Shot 80 with Integral Driver | SO<br>Standard Output | 30K<br>3000K | ON-OFF<br>ON/OFF     | UNV<br>120 - 277V | SP<br>Spot 20°   | GR<br>Grey            |
|   |                       | 40K<br>4000K | DIM<br>0-10v Dimming |                   | MB<br>Medium 28° | AG<br>Anthracite Grey |

#### LUMINAIRE- REMOTE DRIVER

| MODEL   | OUTPUT                | CCT          | OPTIC            | FINISH                |
|---|-----------------------|--------------|------------------|-----------------------|
| SHT80-REM<br>Shot 80 with Remote Driver (sold separately) | SO<br>Standard Output | 30K<br>3000K | SP<br>Spot 20°   | GR<br>Grey            |
|   |                       | 40K<br>4000K | MB<br>Medium 28° | AG<br>Anthracite Grey |

#### REMOTE POWER SUPPLY (Required For SHT80-REM)

##### RMTPS-UNV-30-700-ON-OFF

Remote Power Supply with Enclosure, 120-277v, 30w, 700mA, On/Off; For 1 to 4 SHT80-REM Luminaires

##### RMTPS-UNV-30-700-DIM

Remote Power Supply with Enclosure, 120-277v, 30w, 700mA, 0-10v Dimming; For 1 to 4 SHT80-REM Luminaires



[www.LampNorthAmerica.com](http://www.LampNorthAmerica.com)

For other Experience® Brands companies, please visit [www.experiencebrandsusa.com](http://www.experiencebrandsusa.com)

In a continuing effort to offer the best product possible, we reserve the right to change, without notice, specifications or materials. Technical specification sheets that appear on [www.lampnorthamerica.com](http://www.lampnorthamerica.com) are the most recent ones available.

# SHOT 80

## Outdoor Spotlight



|                       |                               |                           |            |
|-----------------------|-------------------------------|---------------------------|------------|
| PHYSICAL              | HOUSING                       | Die-Cast Aluminum         |            |
|                       | OVERALL DIMENSIONS            | 4.8" L x 11.7" W x 3.7" H |            |
|                       | WEIGHT                        | SHT80-INT                 | 2.9 pounds |
|                       |                               | SHT80-REM                 | 1.6 pounds |
| OPERATING TEMPERATURE | -4°F to 122°F (-20°C to 50°C) |                           |            |

|            |         |  |  |
|------------|---------|--|--|
| ELECTRICAL | POWER   | 9.4 Watts  |  |
|            | CURRENT | 0.08 amps at 120 volts<br>0.03 amps at 277 volts |  |
|            | CONTROL | 0-10v Dimming                                    |  |

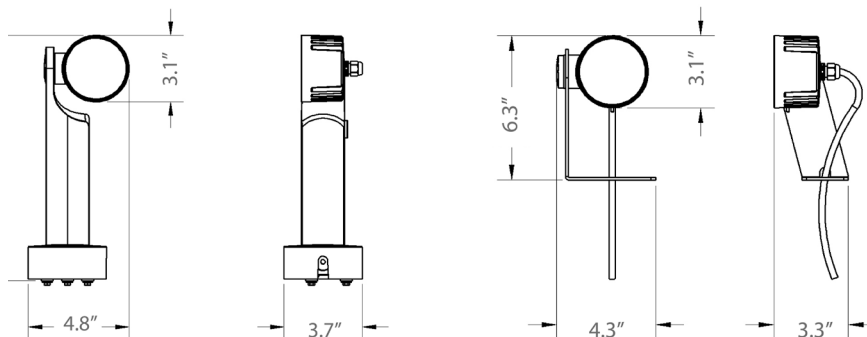
|             |                           |                               |  |
|-------------|---------------------------|-------------------------------|--|
| PHOTOMETRIC | LED                       | Static White (3000K or 4000K) |  |
|             | NUMBER OF LEDS            | 3                             |  |
|             | COLOR RENDERING INDEX     | > 80                          |  |
|             | NUMBER OF DISTRIBUTIONS   | Two                           |  |
|             | LUMEN MAINTENANCE         | L80 > 60,000 hours at 77°F*   |  |
|             | LIGHT CONTROL ACCESSORIES | Visor                         |  |

| LIGHT DISTRIBUTIONS          | DISTRIBUTION | BEAM ANGLE | EFFICACY (lm/w) | LUMEN OUTPUT | MAXIMUM CANDELA |
|------------------------------|--------------|------------|-----------------|--------------|-----------------|
|                              | SPOT         |            | 20°             | 77           | 720             |
| Values based on full output. |              |            |                 |              |                 |
| MEDIUM                       |              | 28°        | 65              | 609          | 1731            |

|                |                    |                            |  |
|----------------|--------------------|----------------------------|--|
| CERTIFICATIONS | SAFETY             | CSA Pending                |  |
|                | INGRESS PROTECTION | IP65                       |  |
|                | IMPACT RATING      | IK06                       |  |
|                | WARRANTY           | Limited Five Year Warranty |  |

### DIMENSIONS

All dimensions are shown in inches unless otherwise noted.



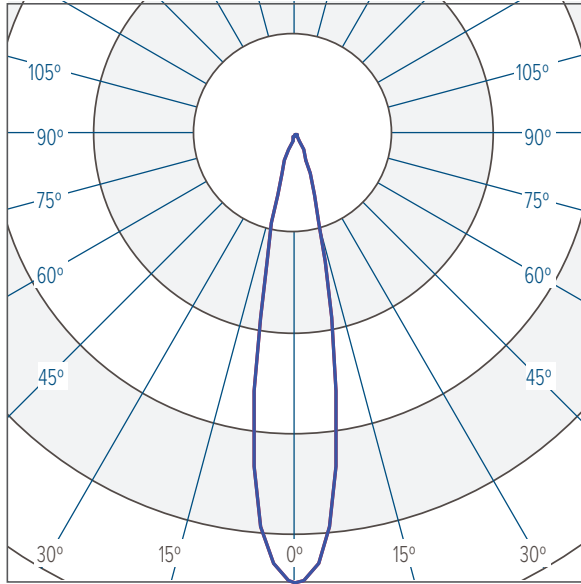
\* LED life may vary under actual field conditions due to external factors. Lifetime estimates are generated from actual testing in a controlled environment. Given values are conservatively derived from those numbers.

PHOTOMETRICS

**3000K & 4000K SPOT 19°**

CBCP 4442 @ 720 lumens

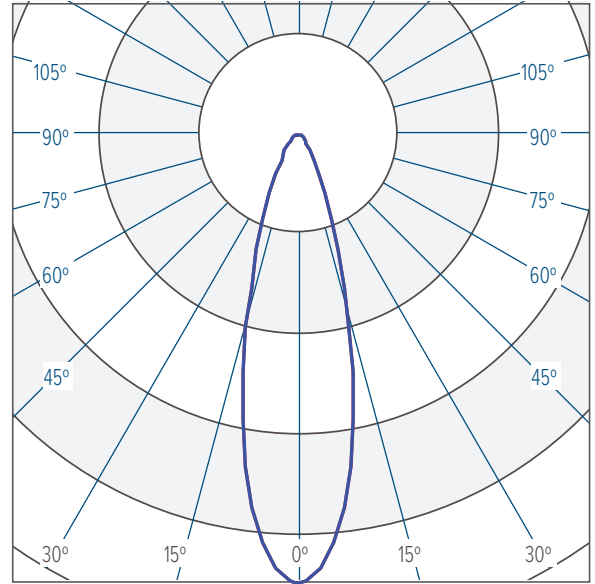
— Horizontal  
— Vertical



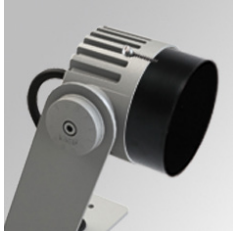
**3000K & 4000K MEDIUM 28°**

CBCP 1731 @ 609 lumens

— Horizontal  
— Vertical



## ACCESSORIES



**MCSC82B**  
Visor

## REMOTE POWER SUPPLIES

| RMTPS-UNV-40-700-ON-OFF |  |                             |                    |               |                 |                 |                |               |  |                      |
|-------------------------|--|-----------------------------|--------------------|---------------|-----------------|-----------------|----------------|---------------|--|----------------------|
| Driver Type             | Description  | Nominal Input Voltage (VAC) | Number of Channels | P-Out Max (W) | V-Out Min (Vdc) | V-Out Max (Vdc) | I-Out Max (mA) | Fixture Cable | NPT Plugs  | Enclosure            |
| On/Off                  | Remote Power Supply for 1 to 4 Luminaires, 120-277v, 40 Watts, 42v Output, On/Off        | 120 to 277                  | 1                  | 29.4          | 28              | 42              | 700            | 1 Cord Grip   | (3) 1/2 NPT Plugs to be removed as required for 1/2 NPT water tight conduit fittings (by others) | Included, IP66 Rated |
| RMTPS-UNV-30-700-DIM    |  |                             |                    |               |                 |                 |                |               |  |                      |
| 0-10v                   | Remote Power Supply for 1 to 4 Luminaires, 120-277v, 40 Watts, 42v Output, 0-10v Dimming | 120 to 277                  | 1                  | 29.4          | 28              | 42              | 700            | 1 Cord Grip   | (3) 1/2 NPT Plugs to be removed as required for 1/2 NPT water tight conduit fittings (by others) | Included, IP66 Rated |

