

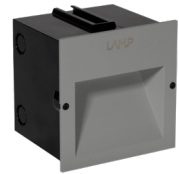
# URBAN 100

## Recessed Outdoor Wall Floodlight



### DESCRIPTION

URBAN 100 is a compact 4" square recessed wall luminaire for accenting and illumination of pedestrian spaces including stairs, walkways, building entrances, and corridors. Consuming less than two watts, the fully shielded luminaire projects a forward throw Type IV distribution to ensure illumination across wider paths. The die-cast aluminum faceplate projects less than 0.1" from the wall surface making it suitable for ADA applications. Available color temperatures include 2700K or 4000K at 90CRI.



Date: \_\_\_\_\_ Type: \_\_\_\_\_ Catalog Number: \_\_\_\_\_

Project Name: \_\_\_\_\_

### ORDERING INFORMATION

LUMINAIRE			
MODEL	CCT	VOLTAGE	FINISH
URB100 Urban 100 Recessed Wall Floodlight	27K - 2700K	UNV - 120 - 277V	GR - Grey
	40K - 4000K		

### BACK BOX (Required, Ordered Separately)

**URB-RBB**  
Urban 100- Back Box

# URBAN 100

## Recessed Outdoor Wall Floodlight

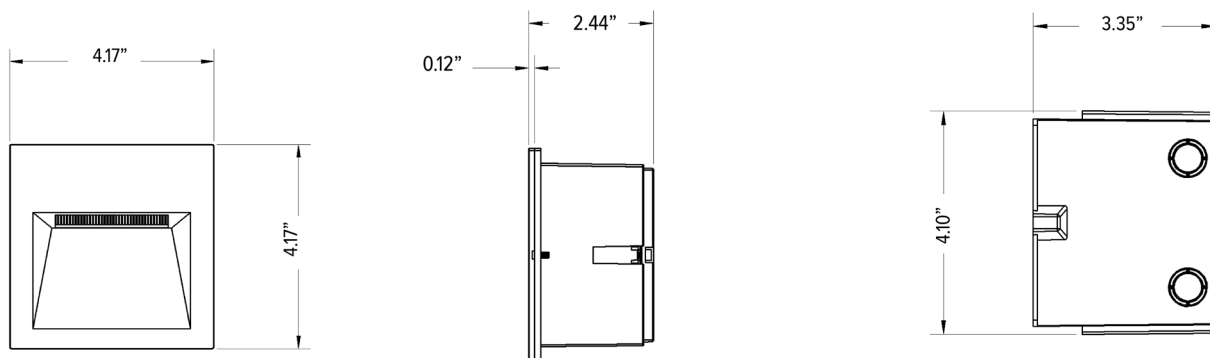


		URBAN 100
PHYSICAL	HOUSING	Die-cast Aluminum
	HOUSING DIMENSIONS	3.89" L x 3.35" W x 3.35" H
	OVERALL DIMENSIONS	4.17" L x 3.35" W x 4.17" H
	WEIGHT	1.56 pounds
PHOTOMETRIC	LED	2700K or 4000K
	DELIVERED LUMEN OUTPUT	Up to 113 lumens
	EFFICACY	Up to 66.5 lumens per watt
	LUMEN MAINTENANCE	L90 > 50,000 Hours*
	# DISTRIBUTIONS	One
	LIGHT CONTROL ACCESSORIES	None
ELECTRICAL	POWER CONSUMPTION	1 watt max
	AMPERAGE	0.008A @ 120V or 0.004A @ 277V
	CONTROL	ON/OFF
	CRI	90
CERTIFICATIONS	SAFETY	CSA Certified for Wet Locations
	INGRESS PROTECTION	IP65
	IMPACT RATING	IK07
	EUROPEAN	CE

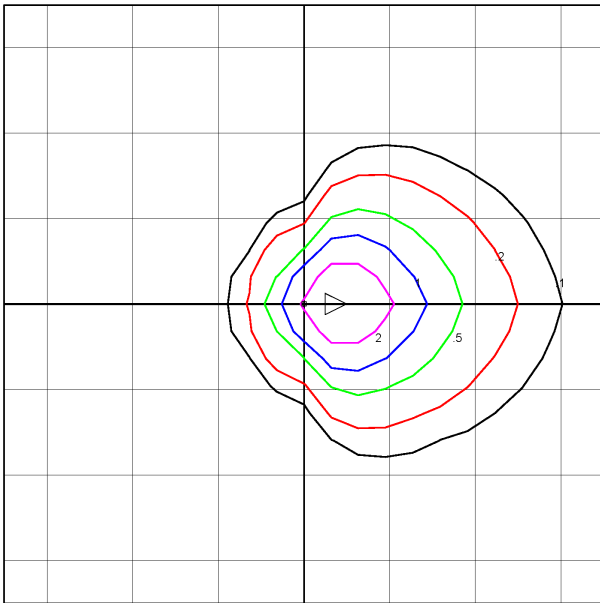
\* LED life may vary under actual field conditions due to external factors. Lifetime estimates are generated from actual testing in a controlled environment. Given values are conservatively derived from those numbers.

### DIMENSIONS

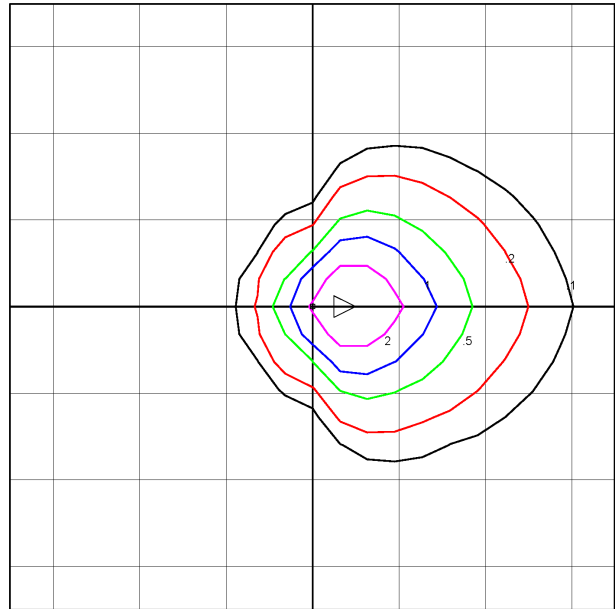
All dimensions are shown in inches unless otherwise noted.



PHOTOMETRY



**URB100-27K-UNV-GR:**  
Mounting Height= 2.5'  
Each Square= 4"  
Delivered Lumens= 113 lms  
Maximum Calculated Value= 3.88 FC



**URB100-40K-UNV-GR:**  
Mounting Height= 2.5'  
Each Square= 4"  
Delivered Lumens= 113 lms  
Maximum Calculated Value= 3.88 FC