

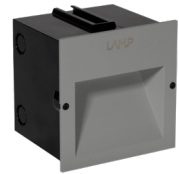
URBAN 100

Recessed Outdoor Wall Floodlight



DESCRIPTION

URBAN 100 is a compact 4" square recessed wall luminaire for accenting and illumination of pedestrian spaces including stairs, walkways, building entrances, and corridors. Consuming less than two watts, the fully shielded luminaire projects a forward throw Type IV distribution to ensure illumination across wider paths. The die-cast aluminum faceplate projects less than 0.1" from the wall surface making it suitable for ADA applications. Available color temperatures include 2700K or 4000K at 90CRI. Luminaire ships complete with plastic recessed back box.



Date: _____ Type: _____ Catalog Number: _____

Project Name: _____

ORDERING INFORMATION

| LUMINAIRE | | | |
|--|----------------|---------------------|--------------|
| MODEL | CCT | VOLTAGE | FINISH |
| URB100 Urban 100 Recessed Wall Floodlight | 27K - 2700K | UNV - 120 - 277V | GR - Grey |
| | 40K - 4000K | | |

URBAN 100

Recessed Outdoor Wall Floodlight

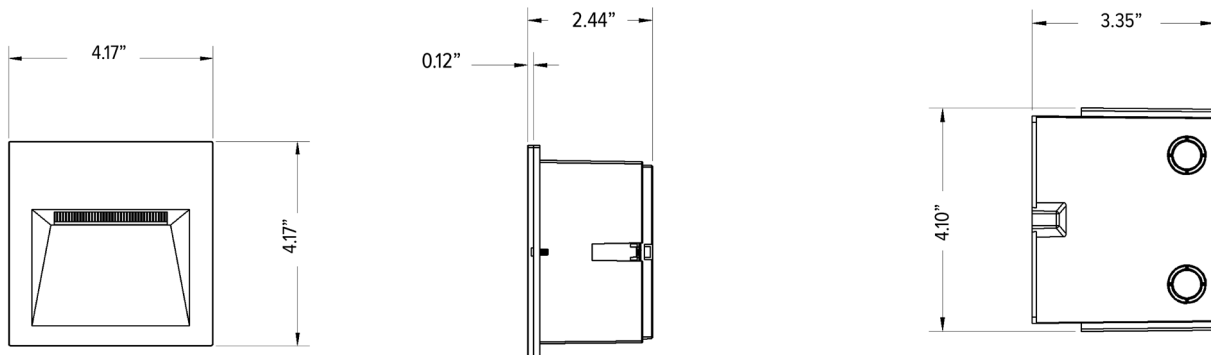


| | | URBAN 100 |
|-------------|---------------------------|--------------------------------|
| PHYSICAL | HOUSING | Die-Cast Aluminum |
| | HOUSING DIMENSIONS | 3.89" L x 3.35" W x 3.35" H |
| | RECESSED BACK BOX | Flame Retardant ABS Plastic |
| | OVERALL DIMENSIONS | 4.17" L x 3.35" W x 4.17" H |
| | WEIGHT | 1.56 pounds |
| PHOTOMETRIC | LED | 2700K or 4000K |
| | DELIVERED LUMEN OUTPUT | Up to 113 lumens |
| | EFFICACY | Up to 66.5 lumens per watt |
| | LUMEN MAINTENANCE | L90 > 50,000 Hours* |
| | # DISTRIBUTIONS | One |
| | LIGHT CONTROL ACCESSORIES | None |
| ELECTRICAL | POWER CONSUMPTION | 1 watt max |
| | AMPERAGE | 0.008A @ 120V or 0.004A @ 277V |
| | CONTROL | ON/OFF |
| | CRI | 90 |

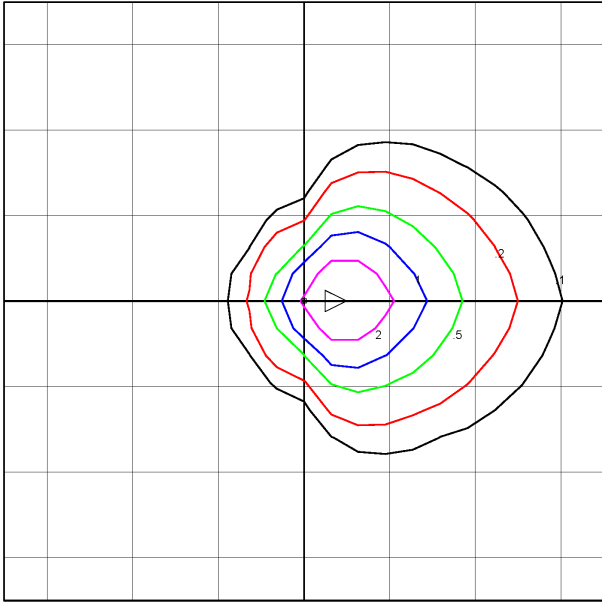
* LED life may vary under actual field conditions due to external factors. Lifetime estimates are generated from actual testing in a controlled environment. Given values are conservatively derived from those numbers.

DIMENSIONS

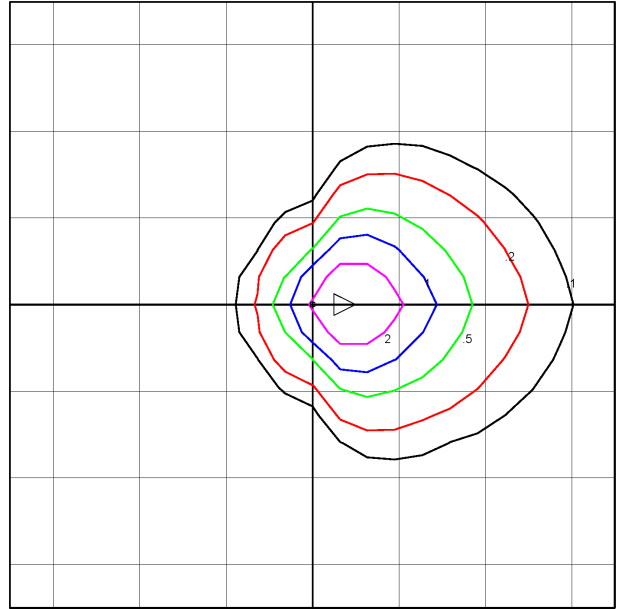
All dimensions are shown in inches unless otherwise noted.



PHOTOMETRY



URB100-27K-UNV-GR:
Mounting Height= 2.5'
Each Square= 4"
Delivered Lumens= 113 lms
Maximum Calculated Value= 3.88 FC



URB100-40K-UNV-GR:
Mounting Height= 2.5'
Each Square= 4"
Delivered Lumens= 113 lms
Maximum Calculated Value= 3.88 FC