

SHOT 380

Outdoor Floodlight



DESCRIPTION

SHOT 380 is one model in a family of four outdoor floodlights of varying sizes and outputs. It is suitable for illumination of architectural elements such as facades or sculptures and areas such as public squares and similar area lighting applications including streets in pedestrian-oriented settings. The floodlight features a mounting yoke for vertical and horizontal adjustability.

SHOT 380 features two output packages (Standard or High Output) with a choice of three light distributions in 3000K, 3500K, or 4000K color temperatures. Available distributions are rotationally symmetric Spot (12°) or Medium Flood (22°) beams or an asymmetric street distribution. Control options include 0-10V Dimming or On/Off.



Date: _____ Type: _____ Catalog Number: _____

Project Name: _____



ORDERING INFORMATION

LUMINAIRE						
MODEL	OUTPUT	CCT	CONTROL	VOLTAGE	OPTIC	FINISH
SHT380 Shot 380	SO Standard Output	30K 3000K	ON-OFF On/Off	UNV 120-277v	SP Spot 12°	AG Anthracite Grey
	HO High Output	35K 3500K	DIM 0-10v Dimming		MB Medium 22°	GR Grey
		40K 4000K			ST Street	CC Custom RAL Color

Custom options are available; consult factory via phone at (864) 487-3535 ext. 258 or via email at DesignServices@EXP-Brands.com.

See Page 7 for ordering information of available accessories.



Shot 80



Shot 180



Shot 290



Shot 380

SHOT 380

Outdoor Floodlight



SHOT 380		
PHYSICAL	HOUSING	Die-Cast Aluminum
	LENS	Tempered Glass
	HARDWARE	Stainless Steel
	MOUNTING	Surface or Pole Mount (See Page 7 for available mounting accessories.)
	DRIVER LOCATION	Integral
	DIMENSIONS	9.3" L x 15" W x 18.7" H
	WEIGHT	26.9 Pounds
	OPERATING TEMPERATURE	-4°F to 104°F (-20°C to 40°C)
	EPA	1.54 ft ²

		STANDARD OUTPUT	HIGH OUTPUT
ELECTRICAL	POWER CONSUMPTION	51 Watts	83 Watts
	CURRENT	0.43 amps at 120 volts 0.69 amps at 277 volts	0.18 amps at 120 volts 0.30 amps at 277 volts
	VOLTAGE	120 to 277 Volts	
	CONTROL	On/Off, 0-10v Dimming	
	FREQUENCY	50 to 60 Hz	

PHOTOMETRIC	LED	Static White 3000K, 3500K, or 4000K
	DISTRIBUTIONS	12°, 22°, Street Distribution
	LUMEN MAINTENANCE	L80 > 50,000 Hours at 77°F*
	CRI	80 CRI
	BUG RATING	B0-U0-G0
	LIGHT CONTROL ACCESSORIES	Visor Available

LIGHT DISTRIBUTIONS	DISTRIBUTION	BEAM ANGLE	STANDARD OUTPUT			HIGH OUTPUT			
			LUMENS	EFFICACY	MAX. CANDELA	LUMENS	EFFICACY	MAX. CANDELA	
			3000K						
	SPOT	12°	4721	92.6	43116	7003	84.4	63957	
	MEDIUM	22°	4788	93.9	17602	7102	85.6	26110	
	STREET	-	4920	96.5	4137	7297	87.9	6135	
	4000K								
	SPOT	12°	4970	97.5	45390	7372	88.8	67327	
	MEDIUM	22°	5040	98.8	18529	7475	90.1	27481	
	STREET	-	5179	101.5	4355	7682	92.6	6459	

Values based on full output.

CERTIFICATIONS	SAFETY	CSA Certification
	INGRESS PROTECTION	IP65
	IMPACT RATING	IK08
	WARRANTY	Five Year Limited Warranty

* LED life may vary under actual field conditions due to external factors. Lifetime estimates are generated from actual testing in a controlled environment. Values are conservatively derived from those numbers.

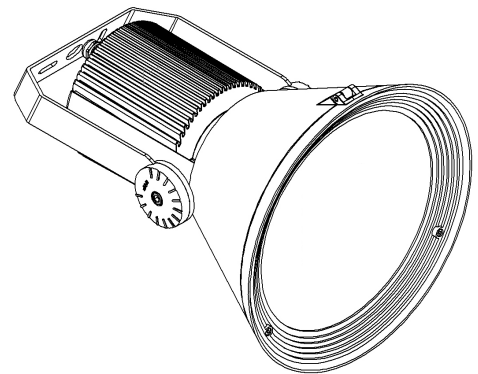
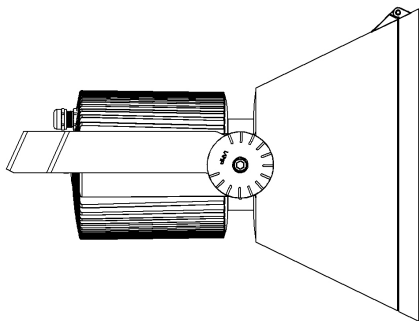
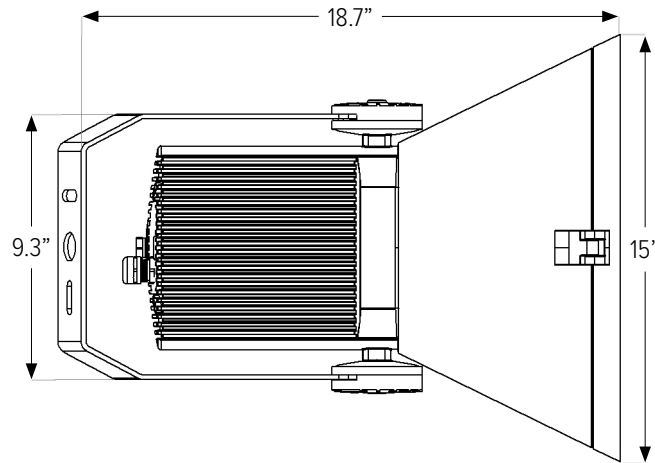
SHOT 380

Outdoor Floodlight



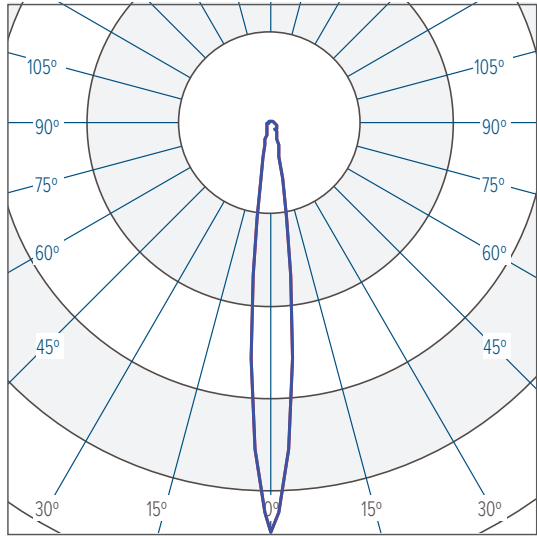
DIMENSIONS

All dimensions are shown in inches unless otherwise noted.

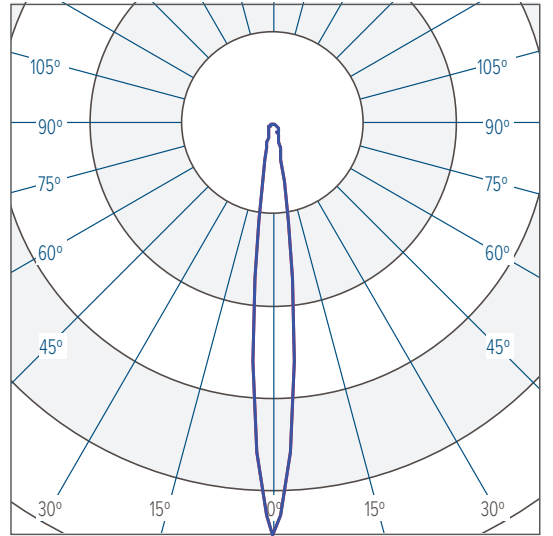


PHOTOMETRICS- SPOT BEAM (12°)

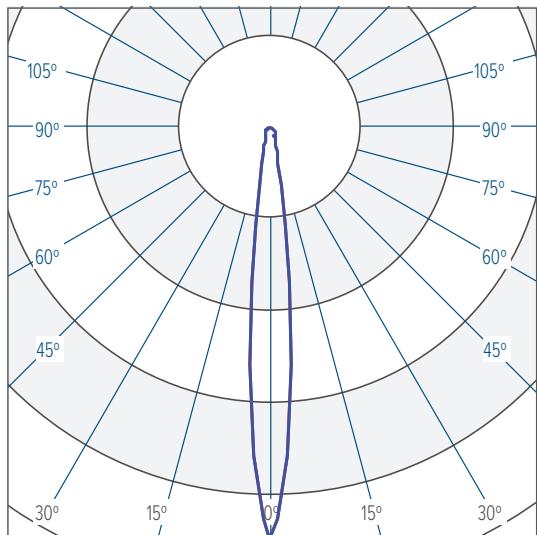
3000K Standard Output
CBCP 43116 @ 4721 lumens



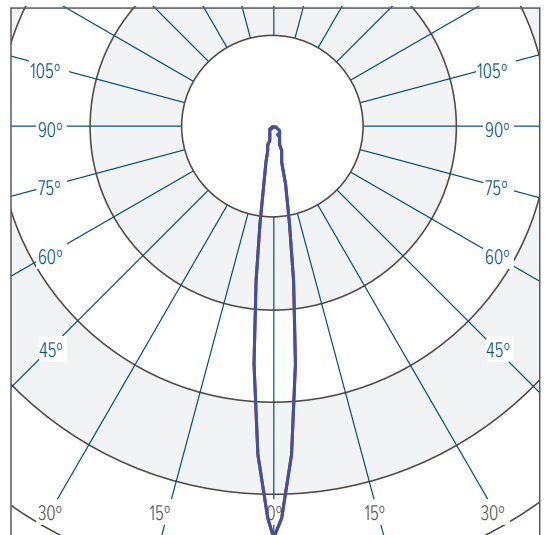
4000K Standard Output
CBCP 45391 @ 4970 lumens



3000K High Output
CBCP 83958 @ 7003 lumens



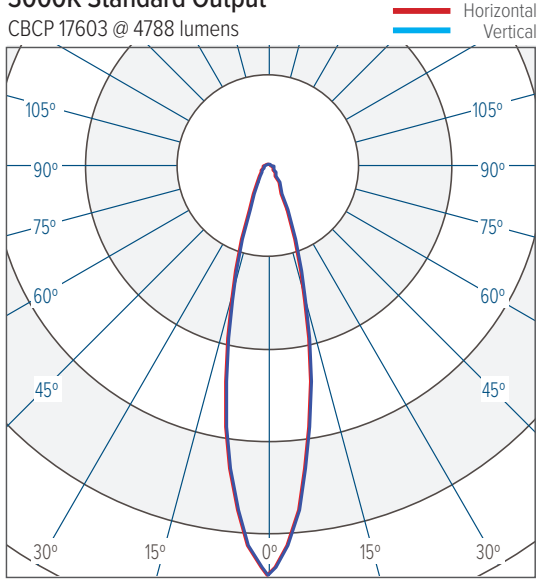
4000K High Output
CBCP 67328 @ 7372 lumens



PHOTOMETRICS- MEDIUM BEAM (23°)

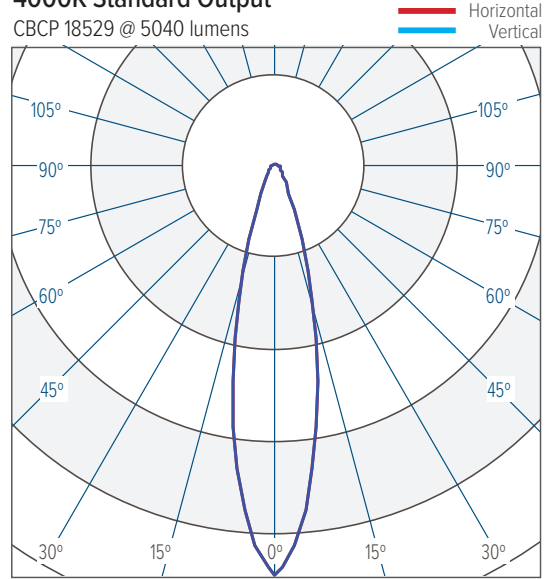
3000K Standard Output

CBCP 17603 @ 4788 lumens



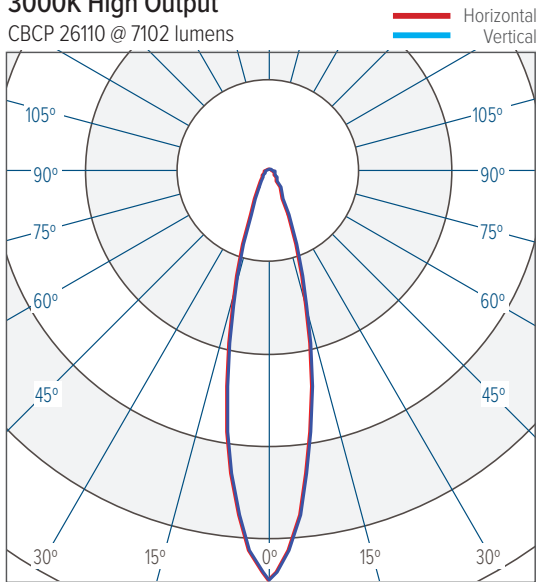
4000K Standard Output

CBCP 18529 @ 5040 lumens



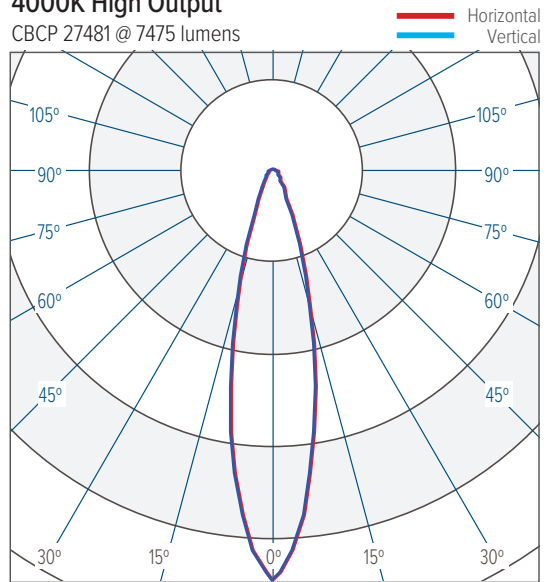
3000K High Output

CBCP 26110 @ 7102 lumens

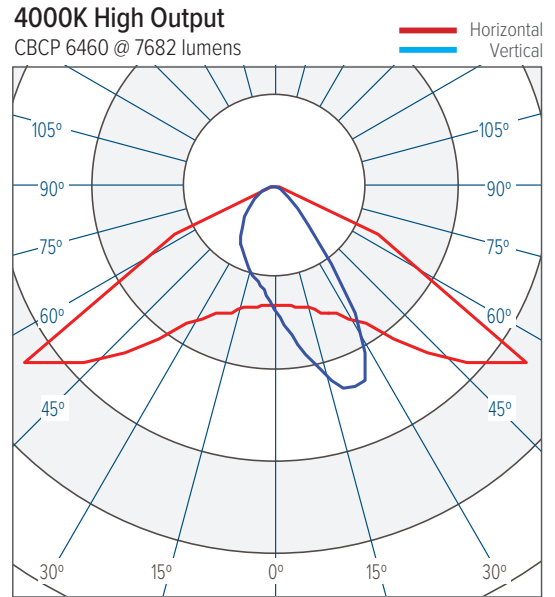
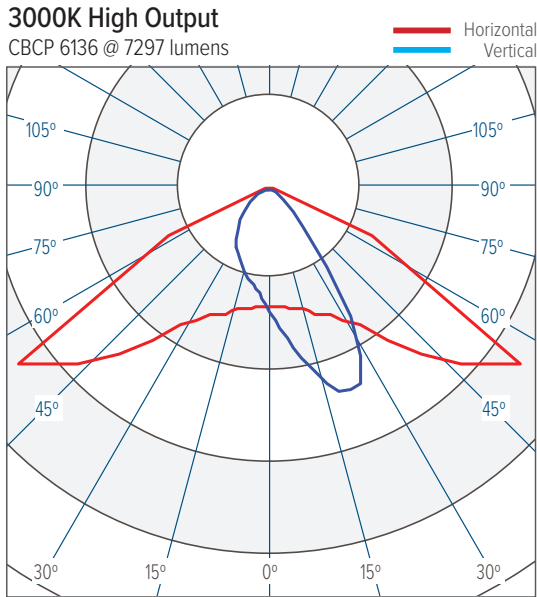
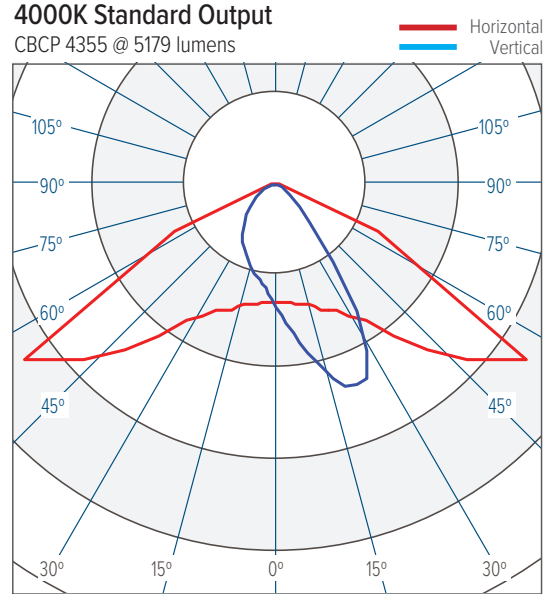
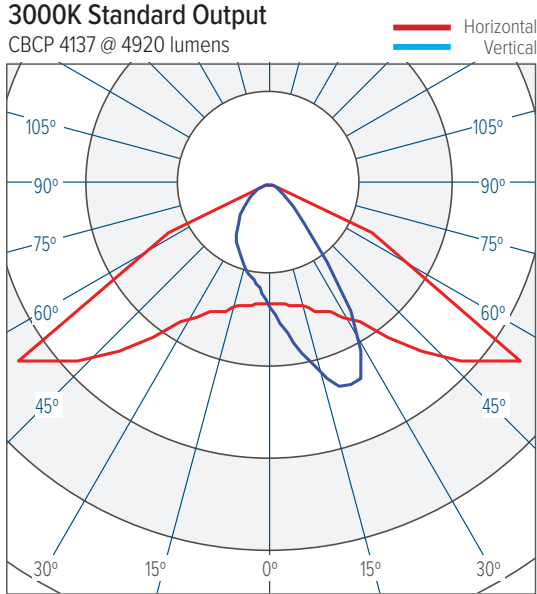


4000K High Output

CBCP 27481 @ 7475 lumens



PHOTOMETRICS- STREET DISTRIBUTION



MOUNTING ACCESSORIES

-XX* indicates a painted accessory. Select "AG" for Anthracite or "GR" for Grey. Custom RAL colors are available on request.

POST-TOP MOUNTING

SHORT MOUNTING BRACKET

SINGLE LUMINAIRE MOUNTING



SHT-SHRT-TOP-1LUM-2.36IN-XX*

Shot 180/290/380 Short Pole Top Mount
Single Luminaire
Fits ø2.36" Tenon
Anthracite or Grey Finish

SHT-SHRT-TOP-1LUM-3IN-XX*

Shot 180/290/380 Short Pole Top Mount
Single Luminaire
Fits ø3" Tenon
Anthracite or Grey Finish



LONG MOUNTING BRACKET



SHT-LNG-TOP-1LUM-2.36IN-XX*

Shot 180/290/380 Long Pole Top Mount
Single Luminaire
Fits ø2.36" Tenon
Anthracite or Grey Finish

SHT-LNG-TOP-1LUM-3IN-XX*

Shot 180/290/380 Long Pole Top Mount
Single Luminaire
Fits ø3" Tenon
Anthracite or Grey Finish

TWIN LUMINAIRE MOUNTING



SHT-SHRT-TOP-2LUM-2.36IN-XX*

Shot 180/290/380 Short Pole Top Mount
Twin Luminaires
Fits ø2.36" Tenon
Anthracite or Grey Finish

SHT-SHRT-TOP-2LUM-3IN-XX*

Shot 180/290/380 Short Pole Top Mount
Twin Luminaires
Fits ø3" Tenon
Anthracite or Grey Finish



SHT-LNG-TOP-2LUM-2.36IN-XX*

Shot 180/290/380 Long Pole Top Mount
Twin Luminaires
Fits ø2.36" Tenon
Anthracite or Grey Finish

SHT-LNG-TOP-2LUM-3IN-XX*

Shot 180/290/380 Long Pole Top Mount
Twin Luminaires
Fits ø3" Tenon
Anthracite or Grey Finish



Installation instructions available on request.

MOUNTING ACCESSORIES

-XX* indicates a painted accessory. Select "AG" for Anthracite or "GR" for Grey. Custom RAL colors are available on request.

INTERMEDIATE POLE MOUNTING



SHT-SHRT-INT-1LUM-4.72IN-XX*
Shot 180/290/380 Short Intermediate Pole Mount
Single Luminaire
Fits ø3.15" to 4.72" Pole
Anthracite or Grey Finish

.....

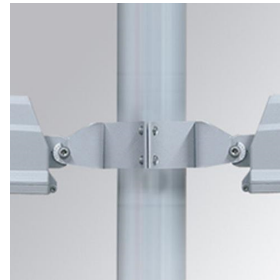


SHT-SHRT-INT-1LUM-5.31IN-XX*
Shot 180/290/380 Short Intermediate Pole Mount
Single Luminaire
Fits ø2.36" to 5.31" Pole
Anthracite or Grey Finish

.....



SHT-LNG-INT-1LUM-4.72IN-XX*
Shot 180/290/380 Long Intermediate Pole Mount
Single Luminaire
Fits ø3.15" to 4.72" Pole
Anthracite or Grey Finish



SHT-SHRT-INT-1LUM-5.12IN-XX*
Shot 180/290/380 Intermediate Pole Mount
Single Luminaire
Fits ø4.72" to 5.12" Pole
Anthracite or Grey Finish

SHT-SHRT-INT-2LUM-5.12IN-XX*
Shot 180/290/380 Intermediate Pole Mount
Twin Luminaires
Fits ø4.72" to 5.12" Pole
Anthracite or Grey Finish

.....

Installation instructions available on request.

MOUNTING ACCESSORIES

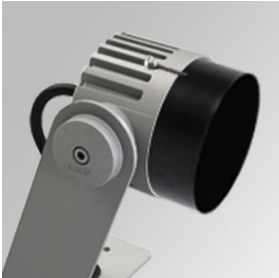
-XX* indicates a painted accessory. Select "AG" for Anthracite or "GR" for Grey. Custom RAL colors are available on request.

WALL MOUNTING



SHT-WALL-1LUM-XX*
Shot 180/290/380 Wall Mount
Single Luminaires
Anthracite or Grey Finish

OPTICAL ACCESSORIES



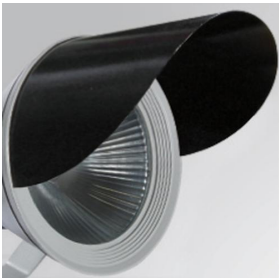
SHT80-SNOOT
Snoot for Shot 80
Matte Black Finish

.....

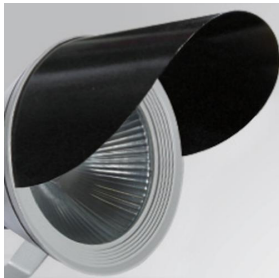


SHT180-SNOOT
Snoot for Shot 180
Matte Black Finish

.....



SHT290-VISOR
Visor for Shot 290
Matte Black Finish



SHT380-VISOR
Visor for Shot 380
Matte Black Finish

.....

Installation instructions available on request.